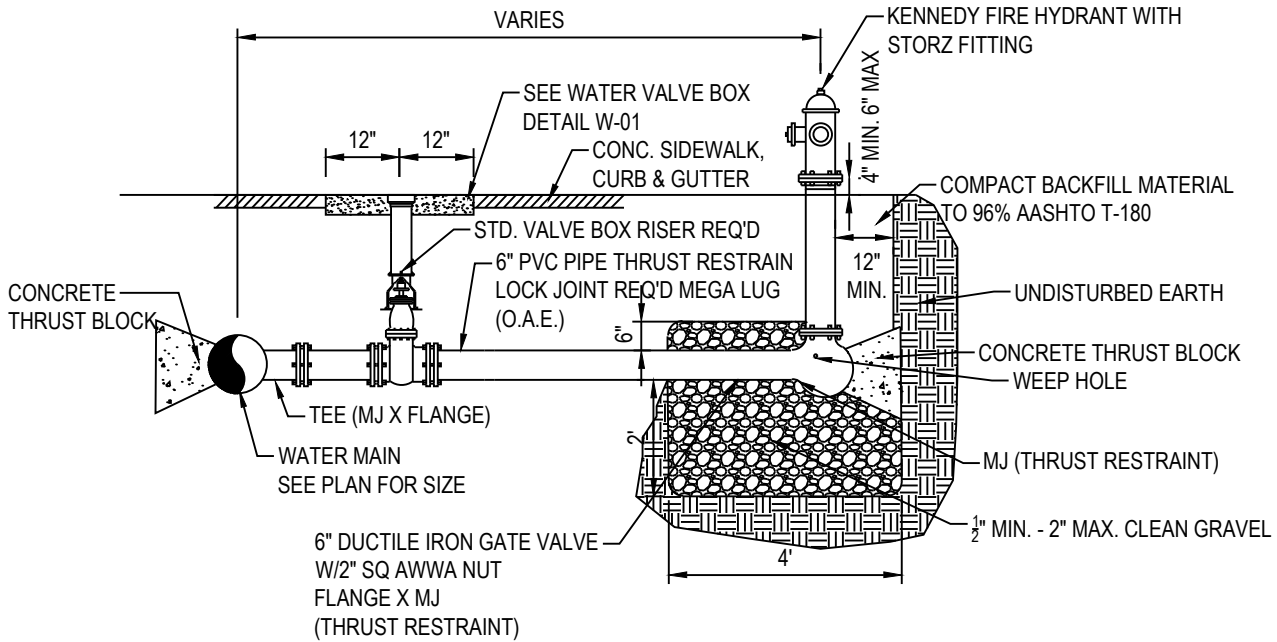


NOTE:

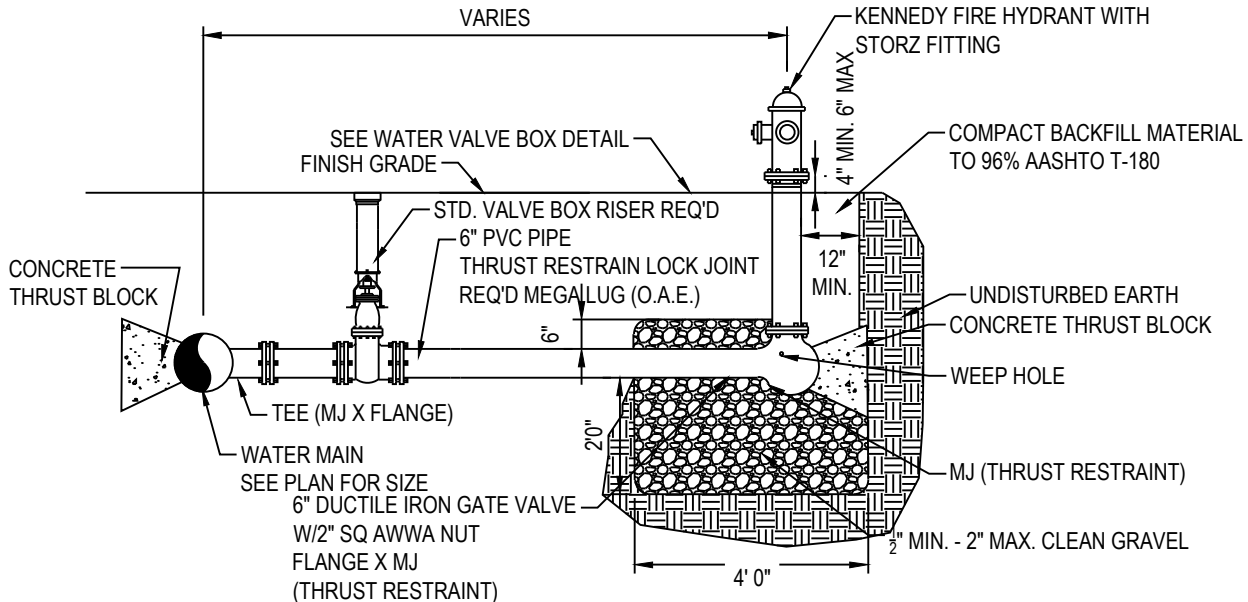
1. TOP OF VALVE BOX AND CONCRETE COLLAR TO BE 1/4" BELOW FINAL GRADE.



1 STANDARD FIRE HYDRANT DETAIL (PAVED) SCALE: NONE

NOTE:

1. TOP OF VALVE BOX AND CONCRETE COLLAR TO BE 1/4" BELOW FINAL GRADE.



2 STANDARD FIRE HYDRANT DETAIL (UNPAVED) SCALE: NONE

PROJECT # DATE  
SU1037 07/12/2022

W-02

CICWCD  
STANDARD DETAILS  
STANDARD FIRE HYDRANT DETAIL  
IRON COUNTY, UTAH



CICWCD  
88 E Fiddlers Canyon Rd. Suite 220  
Cedar City, Utah 84721  
Phone 435-865-9901  
Fax 435-865-9902