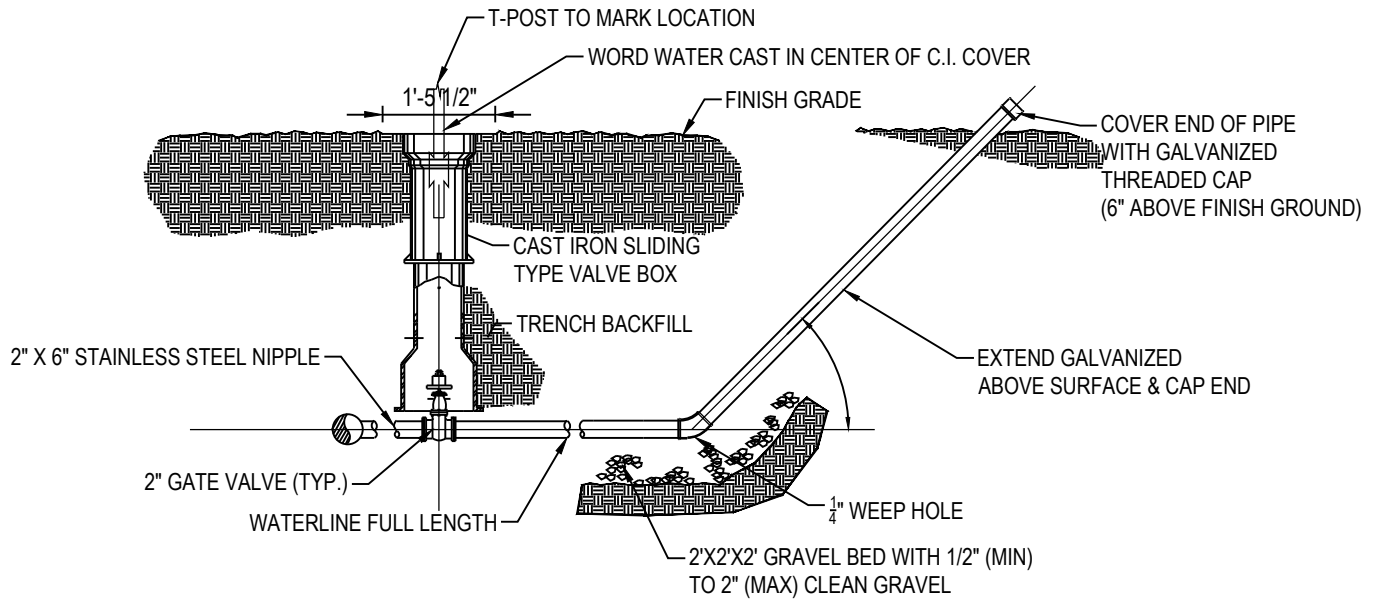


1 WATER VALVE BOX DETAIL SCALE: NONE



2 BLOW OFF DETAIL SCALE: NONE

PROJECT # SU1037 DATE 07/12/2022

W-01

CICWCD
STANDARD DETAILS
 WATER VALVE BOX AND BLOW OFF
 IRON COUNTY, UTAH



CICWCD
 88 E Fiddlers Canyon Rd. Suite 220
 Cedar City, Utah 84721
 Phone 435-865-9901
 Fax 435-865-9902